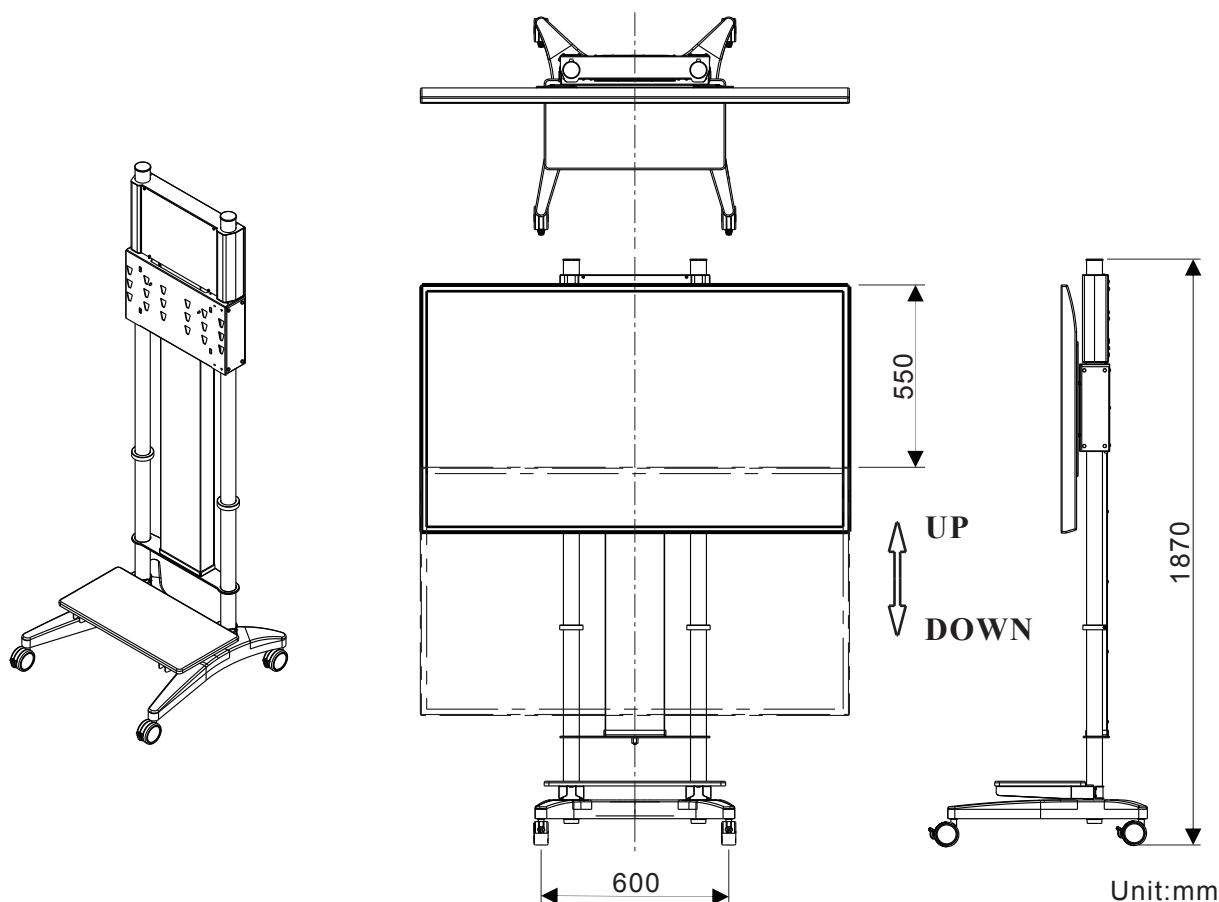


## Specification

- (1) Height Adjustment (up-down movement) range: 550mm.
- (2) Loading Capacity : Display 35~45kgs.
- (2) meets VESA: 200x200, 400x200, 400x400, 600x400mm.
- (3) base wheels diameter: 3" integrated-molding wheels.
- (4) height adjustment stopper: enabling flexibility of vertically adjusting TV to the best-viewing Height. Ex-factory stopper set at the lowest point of 550mm.



## Parts List

### MAIN PARTS

ITEM	1	2	3	4	5	6	7	8	9	10	11	12	13
PARTS													
QTY	1	4	1	1	1	2	2	1	2	8	2	4	4

ITEM	14	15	16	17	18
PARTS					
	M6X30	M8X15	M8X40		
QTY	4	4	4	8	8

⚠ Recommend 2-persons to hold the TV and to process the installation.

⚠ Be aware of the specifications and steps indicated on this Brochure.